



SNIA

S10-210 Exam

SNIA Storage Networking Management and Administration Exam

Thank you for Downloading S10-210 exam PDF Demo

You can Buy Latest S10-210 Full Version Download

<https://www.certkillers.net/Exam/S10-210>

<https://www.certkillers.net>

Question: 1

You have replaced an HBA and are trying to add it to an existing zone using the FC switch GUI interface. You are unable to do so.

Why is this happening?

- A. The OS login has not occurred.
- B. The Web login has not occurred.
- C. The fabric login has not occurred.
- D. The port login has occurred.

Answer: C

Question: 2

A number of servers are experiencing slower than expected performance. Analyzing the server, switch, and storage logs do not indicate any issues. You have been asked by the customer to address this issue.

What will improve performance?

- A. Increase the current queue depth setting from 1.
- B. Change the frame size from 2148 bytes,
- C. Decrease the buffer-to-buffer credits setting.
- D. Enable write caching functionality for the device driver.

Answer: A

Question: 3

A company wants to implement a database which requires a storage subsystem with no more than 2 ms write latency and 1 ms read latency.

Which type of drive would you use?

- A. SATA
- B. FC
- C. SSD
- D. ATA

Answer: C

Question: 4

A colleague asks you if the added cost of using encrypting tape drives and sending the tapes off-site is warranted, since your IT organization already has large security investments such as firewalls and database table encryption.

What is your response?

- A. The correct firewall rule set would make encrypted tape drives obsolete, but there has not always been strong confidence in the firewall administrators.
- B. Encrypted database tables only protect data against inappropriate access by super users such as database or server administrators abusing root privileges.
- C. Encrypt tape drives as part of a defense in depth strategy to ensure that one security mechanism being compromised does not expose all information to a malicious user.
- D. The existing firewalls and database table encryption do not replace encrypted tape drives, but implementing an intrusion protection system (IPS) will make tape encryption obsolete.

Answer: C

Question: 5

The latest storage utilization report shows that 80% of the current 500 TB of enterprise storage is allocated. The storage administrator must specify the amount of additional storage needed for local copies for approximately half of the active storage.

How much additional storage should the administrator request?

- A. 400 TB
- B. 300 TB
- C. 200 TB
- D. 100 TB

Answer: C

Question: 6

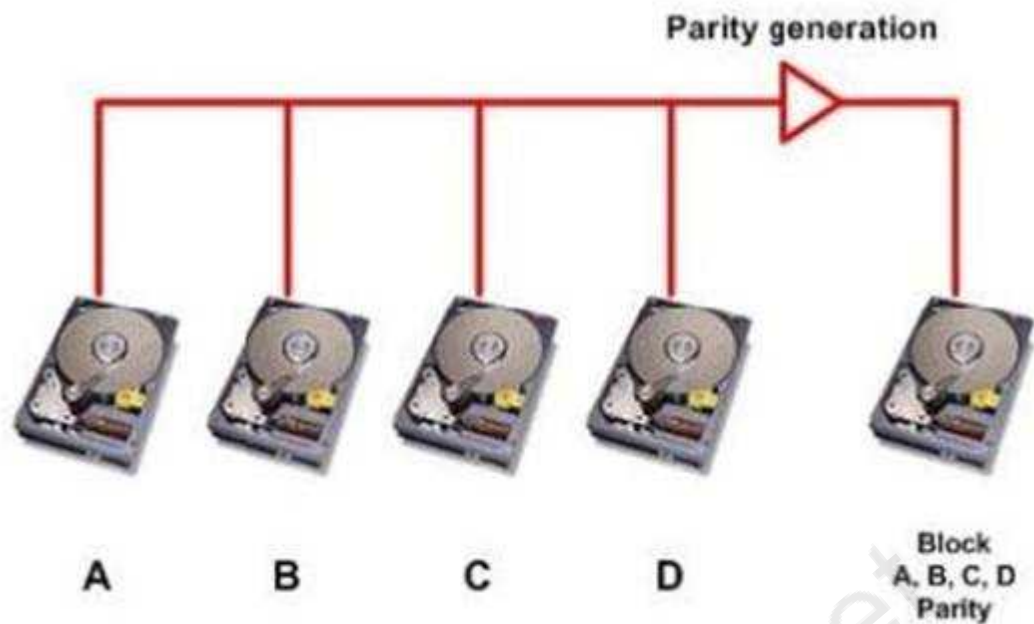
What is a common protocol used in cloud communications?

- A. WebDAV
- B. SCP
- C. HTTP
- D. CDMI

Answer: C

Question: 7

Click the Exhibit button.



Referring to the exhibit, which RAID level is shown?

- A. RAID 4
- B. RAID 5
- C. RAID 0
- D. RAID 6

Answer: A

Question: 8

A customer has upgraded all switches in their redundant fabrics during a single maintenance window. Shortly after the upgrades are completed on the core switches, all servers lose access to all SAN attached storage.

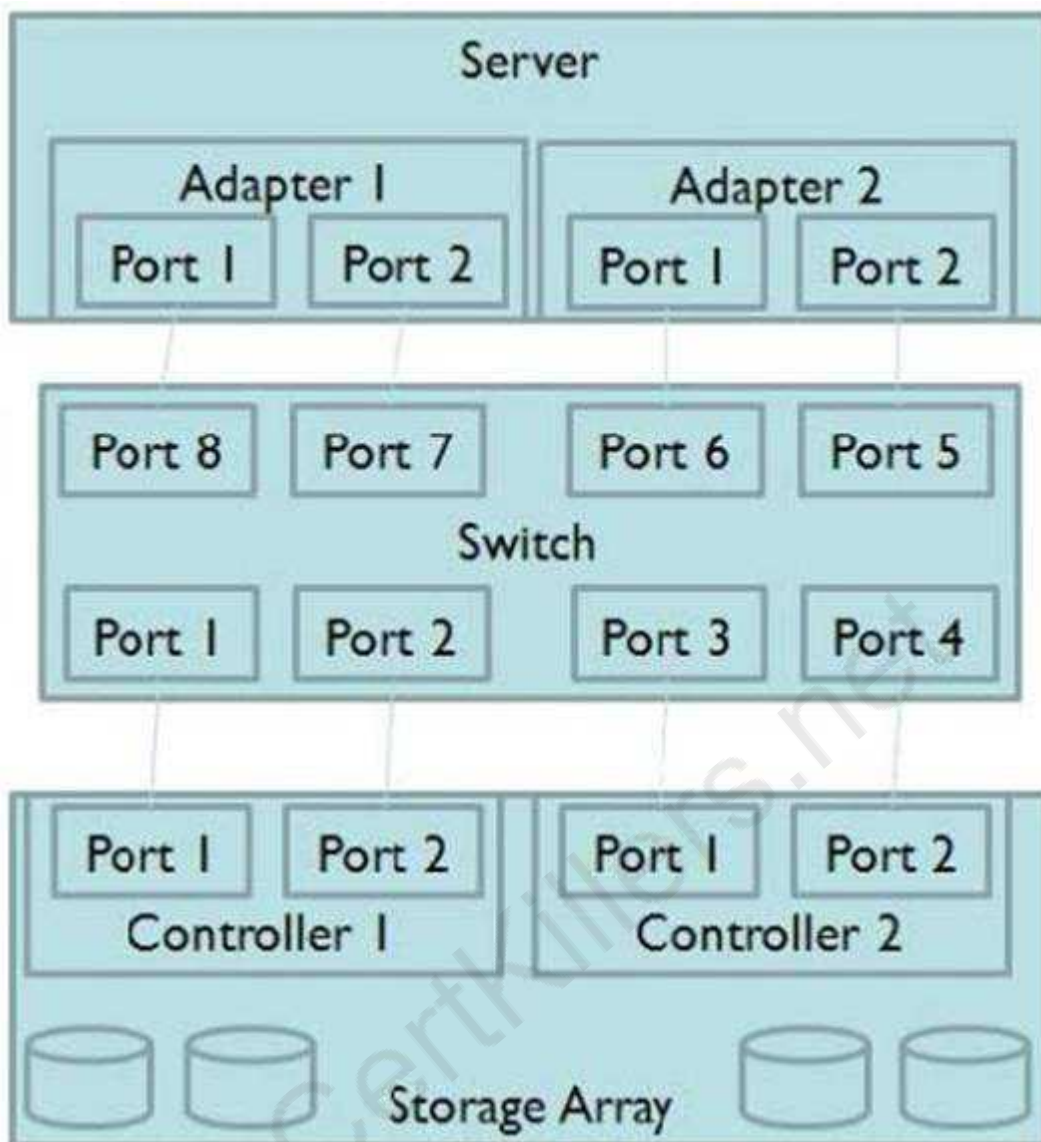
What would have prevented this scenario?

- A. High availability
- B. Fault tolerance
- C. Change or risk management
- D. Clustered servers

Answer: C

Question: 9

Click the Exhibit button.



Referring to the exhibit, what are the two largest risks to a highly available solution? (Choose two.)

- A. Only two adapters per controller
- B. Only two adapters on the server
- C. Only one server
- D. Only one switch

Answer: C,D

Question: 10

The storage administrator is required to create five zones within the FC SAN.
Which Fibre Channel server would be used to do this?

- A. Fabric Login server

- B. Name server
- C. Management server
- D. Fabric Controller

Answer: C

CertKillers.net

Thank You for trying S10-210 PDF Demo

To Buy Latest S10-210 Full Version Download visit link below

<https://www.certkillers.net/Exam/S10-210>

Start Your S10-210 Preparation

[Limited Time Offer] Use Coupon “CKNET” for Further discount on your purchase. Test your S10-210 preparation with actual exam questions.

<https://www.certkillers.net>