



EMC

E20-324 Exam

VNX Solutions Design Exam for Technology Architects

Thank you for Downloading E20-324 exam PDF Demo

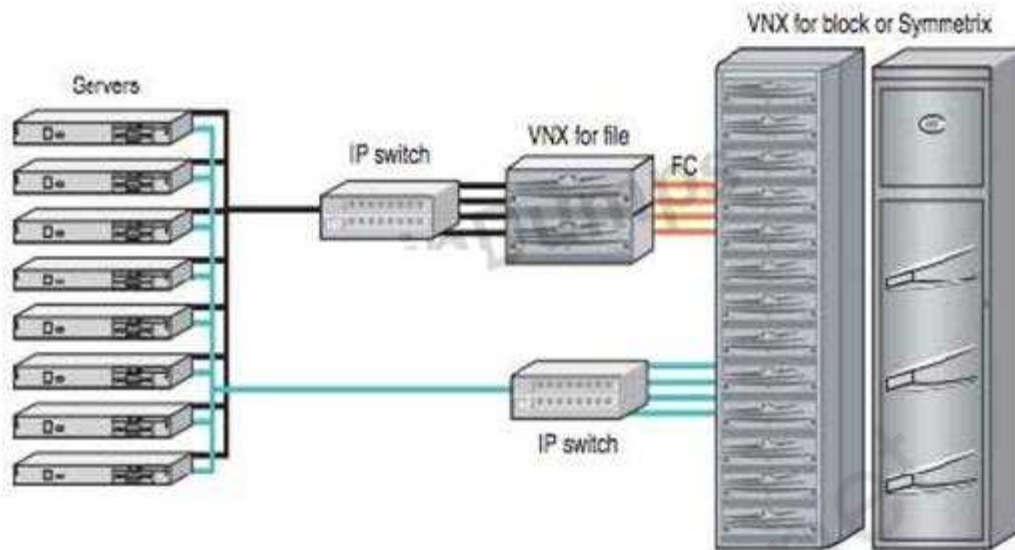
You can Buy Latest E20-324 Full Version Download

<https://www.certkillers.net/Exam/E20-324>

<https://www.certkillers.net>

Question: 1

Refer to the exhibit.



What type of VNX MPFS configuration is illustrated with this topology?

- A. VNX gateway with FC
- B. VNX with iSCSI/FC
- C. VNX with iSCSI/FCoE
- D. VNX gateway with MPFSi

Answer: D

Question: 2

The majority of your customer's servers have highly utilized database applications that require predictable performance.

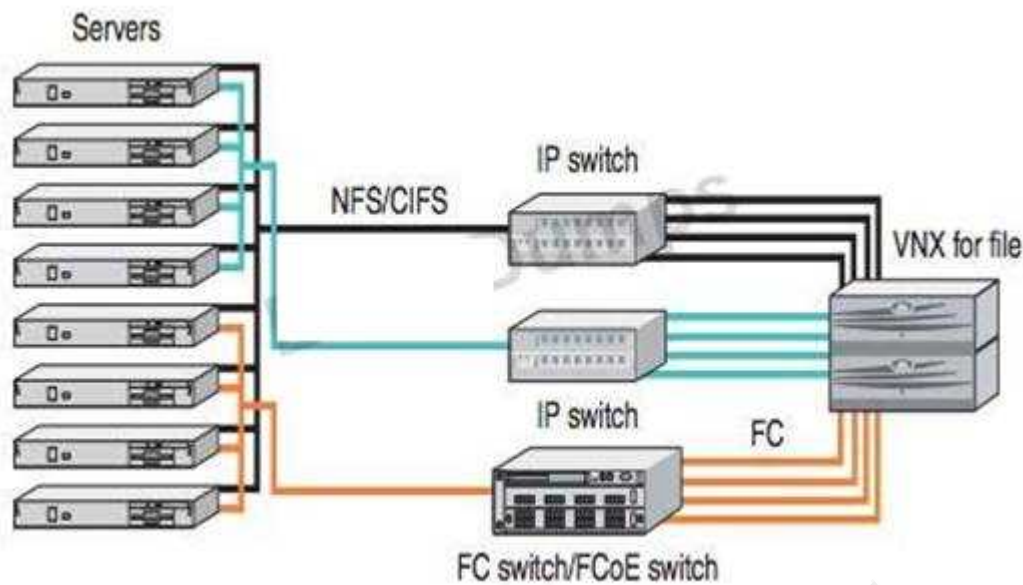
What type of storage do you recommend?

- A. RAID Groups with traditional LUNs
- B. Storage groups with thick LUNs
- C. Pool with traditional LUNs
- D. RAID Groups with thin LUNs

Answer: A

Question: 3

Refer to the exhibit.



What type of VNX configuration is illustrated with this topology?

- A. VNX MPFS with iSCSI/FC
- B. VNX MPFS with FC/FCoE
- C. VNX gateway with iSCSI/FC
- D. VNX gateway with FC

Answer: A

Question: 4

While gathering performance data during peak workloads, which type of collection method is best suited?

- A. Larger periods of data collection over shorter intervals
- B. Smaller periods of data collection over shorter intervals
- C. Smaller periods of data collection over larger intervals
- D. Larger periods of data collection over larger intervals

Answer: C

Question: 5

You are gathering data from a customer environment. You have to process a number of configuration reports.

What tool provides a simple method of processing the data gathering configuration?

- A. Unisphere Analyzer
- B. Collect Support Materials
- C. E-Lab Advisor

D. CLARiiON Configuration Builder

Answer: C

Question: 6

When interviewing customer personnel, you learn of two sets of requirements:

-The technical team has a specific set of requirements that they have to meet. -The manager has a financial requirement that has to be met.

As you begin to design, it becomes clear that, in order to meet the technical goal, the financial requirement will be exceeded. What should you do?

- A. Let both teams know of the constraints and see if there can be a mutual resolution.
- B. Since this is a technical project you should design to the technical team requirements.
- C. Because the manager is paying for the equipment, limit the design to fit into the financial constraints.
- D. Design to the technical requirement and then take enough storage out to meet the financial goal.

Answer: A

Question: 7

During your design analysis you have gathered current storage configuration data and matched storage volumes with server data

a. You have discovered some inconsistencies with the collected data.

What should the next step be?

- A. Resolve any inconsistencies with the customer according to best practices.
- B. Let the implementation engineer resolve the inconsistencies.
- C. Note the inconsistencies and forward a redesign to the implementation engineer.
- D. Resolve the inconsistencies yourself according to best practices.

Answer: A

Question: 8

Which protocols are the best solution for Grid Computing and High Performance Computing environments?

- A. iSCSI, FCoE
- B. pNFS, MPFS
- C. CIFS, NFS
- D. FTP, SMB2

Answer: B

Question: 9

Which RecoverPoint/SE data protection methodology enables block protection as well as a file DR solution?

- A. RecoverPoint/SE CRR
- B. RecoverPoint/SE CLR
- C. RecoverPointt/SE CDP
- D. RecoverPoint/SE CDP and CRR

Answer: B

Question: 10

When documenting the customer environment prior to a storage refresh, you discover that the customer has an issue their backups do not complete every job. How should you proceed?

- A. Have the customer resolve the issue before continuing.
- B. Note the issue in the Statement of Work and continue with planning.
- C. Open a case for the backup issue and resolve it yourself.
- D. No action required: SOW does not include resolving this type of issue.

Answer: A

Question: 11

Your customer has purchased a VNX to upgrade the storage for an Exchange Server cluster. What tool should you use to gather performance data from the Exchange cluster?

- A. iostat
- B. sar
- C. esxtop
- D. perfmon

Answer: D

Question: 12

While gathering existing customer environment information to provide a new VNX storage system solution, you have found many different HBA types, servers, operating systems, and other SAN hardware.

Which wizard within E-Lab Navigator can be used to validate a new VNX storage solution?

- A. SOE & Software Wizard
- B. CLARiiON Host Attach Wizard
- C. Switch Interoperability Wizard
- D. Storage Array Wizard

Answer: C

Question: 13

Your customer needs help understanding Unisphere statistics on a VNX, specifically the Number of Write Cache Pages. How do you explain this metric to the customer?

- A. It is displayed per each SP, and the total number is derived from the sum of both SPs.
- B. It is displayed per entire array, and the total number is half the sum of both SPs.
- C. It is displayed per each SP, and the total number is four times the sum of both SPs.
- D. When FAST Cache is enabled, the number includes the FAST Cache plus the sum of both SPs.

Answer: A

Question: 14

A customer wants to write a script that needs to list all linked remote VNX arrays for file-based replication. What CLI command should you recommend?

- A. nas_cel -list
- B. nas_cel -info
- C. nas_replicate -info
- D. nas_replicate -list

Answer: A

Question: 15

You are preparing a detailed VNX presentation for a technically-oriented customer. VNX arrays have been in their environment for over a year. One objective of the meeting is to go over historical data. The customer indicated that they would like to see Unisphere statistics as part of the analysis. Assuming that statistics logging was enabled from day one, how long does the Unisphere GUI keep its real-time statistics?

- A. Real-time statistics are stored for 1 month.
- B. Real-time statistics cannot be saved to disk.
- C. Real-time statistics are stored for 3 months, unless the frequency interval is less than 5 minutes.
- D. Real-time statistics are stored indefinitely, but requires a dedicated collection server.

Answer: B

Thank You for trying E20-324 PDF Demo

To Buy Latest E20-324 Full Version Download visit link below

<https://www.certkillers.net/Exam/E20-324>

Start Your E20-324 Preparation

[Limited Time Offer] Use Coupon “CKNET” for Further discount on your purchase. Test your E20-324 preparation with actual exam questions.

<https://www.certkillers.net>