



**NI**

**CLAD Exam**

**Certified LabVIEW Associate Developer Exam(CLAD)**

**Thank you for Downloading CLAD exam PDF Demo**

**You can Buy Latest CLAD Full Version Download**

<https://www.certkillers.net/Exam/CLAD>

<https://www.certkillers.net>

---

**Question: 1**

---

How do you document a VI so that the description appears in the Show Context Help popup window?

- A. Use the VI Properties Documentation window
- B. Type in the Show Context Help window
- C. Create a free label on the front panel
- D. Edit the LabVIEW help files

---

**Answer: A**

---

---

**Question: 2**

---

Can a wire be used to pass data between loops that are intended to run in parallel?

- A. Yes
- B. No

---

**Answer: B**

---

---

**Question: 3**

---

Which of the following describes a Tab Control?

- A. A control that outputs ASCII values equal to the selected tab label
- B. A type of enumerated control
- C. A control that outputs a cluster of the controls / indicators on the tabs
- D. A controls that outputs the tab order of the controls on the front panel

---

**Answer: B**

---

---

**Question: 4**

---

What is an advantage of using a Strictly Typed VI ref num?

- A. The data types of the target VI are known at compile time
- B. The data types passed to the VI can change programmatically
- C. You can flatten the data to a string to improve code performance
- D. Causes dynamically loaded VIs to be loaded at the start of execution

---

**Answer: A**

---

---

**Question: 5**

---

A coercion dot indicates that:

- A. The data types are consistent
- B. A polymorphic operation will be performed on the data
- C. A data buffer is created to handle data conversion
- D. Data values are being coerced because they are out of range

---

**Answer: C**

---

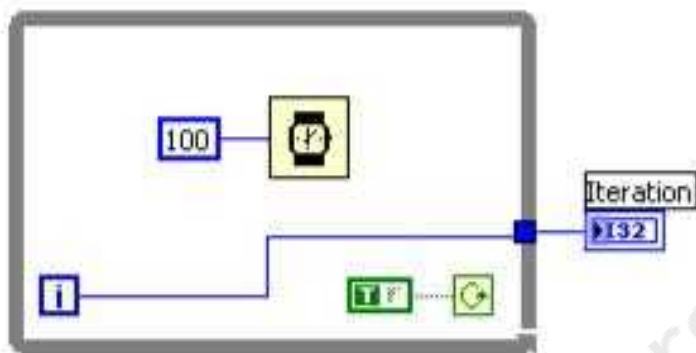


---

**Question: 6**

---

Which of the following statements is true about the following block diagram?



- A. The loop will execute once and the iteration terminal, **i**, will output a value of one
- B. The loop will execute once and the iteration terminal, **i**, will output a value of zero
- C. The loop will execute infinitely and the program will have to be aborted
- D. The loop will not execute and the iteration terminal, **i**, will return a null value

---

**Answer: C**

---



---

**Question: 7**

---

Which of the following can not be used to transfer data?

- A. Semaphores
- B. Queues
- C. Notifiers
- D. Local variables

---

**Answer: A**

---



---

**Question: 8**

---

Which of the following terminals controls how many times a For loop executes?

A.



B.



C.



D.



---

**Answer: D**

---

CertKillers.net

## Thank You for trying CLAD PDF Demo

To Buy Latest CLAD Full Version Download visit link below

<https://www.certkillers.net/Exam/CLAD>

## Start Your CLAD Preparation

**[Limited Time Offer]** Use Coupon “CKNET” for Further discount on your purchase. Test your CLAD preparation with actual exam questions.

<https://www.certkillers.net>