



**IBM**

**C1000-101 Exam**

**IBM Cloud Professional Sales Engineer v1**

**Thank you for Downloading C1000-101 exam PDF Demo**

**You can Buy Latest C1000-101 Full Version Download**

**<https://www.certkillers.net/Exam/C1000-101>**

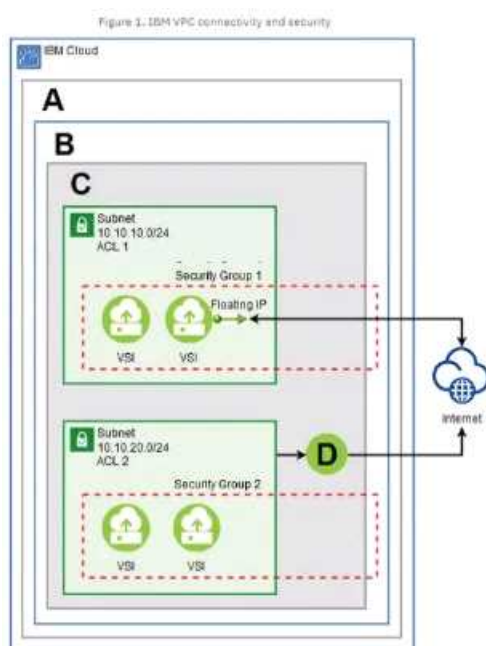
**<https://www.certkillers.net>**

# Version: 4.0

---

## Question: 1

---



Which component is represented by letter D in the displayed IBM VPC connectivity and security diagram?

- A. direct link gateway
- B. transit gateway
- C. public gateway
- D. secure gateway

---

**Answer: A**

---

Explanation:

<https://www.ibm.com/cloud/architecture/content/course/advanced-networking-for-vpc/vpc-vs-classic-infrastructure/>

---

**Question: 2**

---

Which two operating systems are supported on IBM Power Systems Virtual Server?

- A. SUSE Linux Enterprise Server
- B. Fedora
- C. Kubuntu
- D. IBM i
- E. Microsoft Windows Server

---

**Answer: A, D**

---

Explanation:

<https://cloud.ibm.com/docs/power-iaas?topic=power-iaas-power-iaas-faqs>

---

**Question: 3**

---

Who manages the master nodes in the IBM Kubernetes service?

- A. Linux Foundation
- B. IBM

<https://www.certkillers.net>

C. The Open Group

D. Customer

---

**Answer: B**

---

Explanation:

<https://cloud.ibm.com/docs/containers?topic=containers-faqs>

---

**Question: 4**

---

A company has a high-performance application which runs on a custom developed operating system. The system requires additional resources based on an unexpected increase in workload. They have decided to replatform the application and to provide additional capacity before their customers are impacted. Which IBM Cloud solution should they use?

A. Bare Metal Server

B. LinuxONE Server

C. Virtual Server Instances

D. Hyper Protect Virtual Server

---

**Answer: C**

---

Explanation:

---

**Question: 5**

---

For IBM Cloud offerings, who has the responsibility for managing the lifecycle, operations, and security?

A. IBM Expert Services and the customer

<https://www.certkillers.net>

- B. IBM partner and the customer
- C. IBM and the customer
- D. the customer

---

**Answer: C**

---

Explanation:

In IBM Cloud®, as is the case for other cloud service providers, the responsibilities for managing the lifecycle of, operating, and securing products are shared between IBM® and the customer.

<https://cloud.ibm.com/docs/overview?topic=overview-shared-responsibilities#:~:text=The%20software%20deployment%20control%20plane,of%20deployed%20software%20package%20instances.>

**Thank You for trying C1000-101 PDF Demo**

To Buy Latest C1000-101 Full Version Download visit link below

<https://www.certkillers.net/Exam/C1000-101>

## Start Your C1000-101 Preparation

**[Limited Time Offer]** Use Coupon “CKNET” for Further discount on your purchase. Test your C1000-101 preparation with actual exam questions.

<https://www.certkillers.net>