



IBM

C1000-015 Exam

IBM Business Process Manager V8.6 Application Development using Process Designer Exam

Thank you for Downloading C1000-015 exam PDF Demo

You can Buy Latest C1000-015 Full Version Download

<https://www.certkillers.net/Exam/C1000-015>

<https://www.certkillers.net>

Version: 4.0

Question: 1

A process includes an implementation that requires the port number for an external application. Which variable should be used to set the port number for each environment in which the process will run?

- A. Global Variable
- B. Environment Variable
- C. Exposed Process Value
- D. Exposed Process Variable

Answer: B

Question: 2

What will happen when sequence flows evaluate to false in an inclusive gateway?

- A. The instance will never complete.
- B. The default sequence flow will be followed.
- C. A failed event will be created for the process instance.
- D. The gateway will wait for one of the sequence flows to become true.

Answer: B

Question: 3

A developer has an Output Text with control ID 'Output_Text1' above a Table in a Coach. Within the Table, there are two columns:

1. The first column is a Text Control with control ID TextV
2. The second column is a Button control with control ID 'Button1'

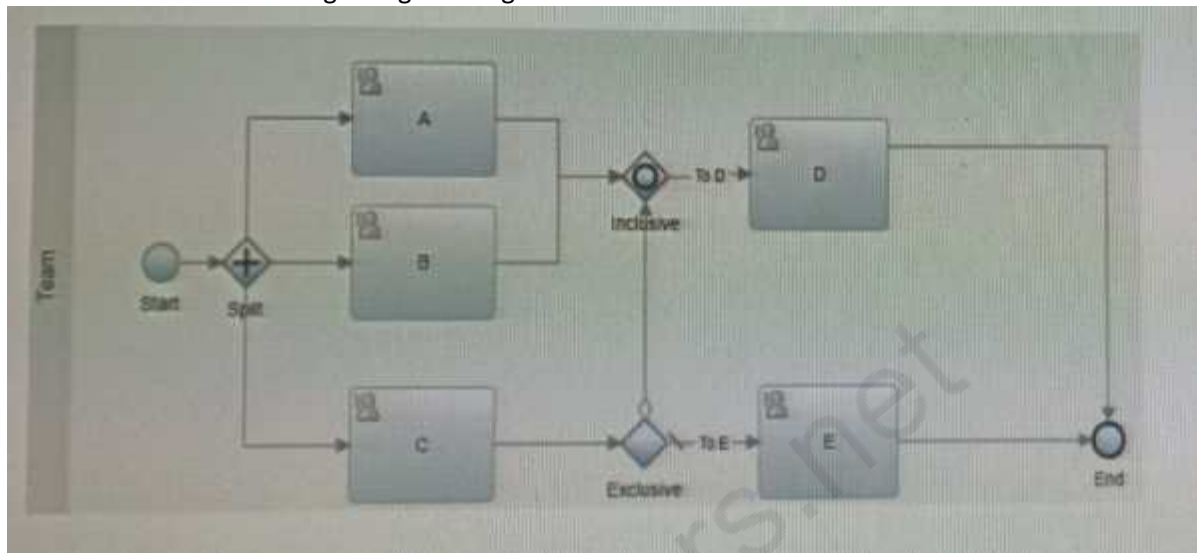
How would a developer set the value of a Text control to 'Clicked' when a Button on the same row is pressed?

- A. Set the Text's 'On Change' Event configuration option to: `${Text1=}.setText('clicked')` ;
- B. Set the Button's 'On click' Event configuration options to: `${Text1=}.setText<'Clicked'` ;
- C. Set the Table's 'On custom cell' Event configuration option to: `${Text1=}.setText('Clicked')`;
- D. Set the Text's 'On boundary event' Event configuration option to: `${Text1=}.setText(fClicked)`;

Answer: A

Question: 4

Which statement is true regarding the diagram below?



- A. D and E will never run in parallel.
- B. If C completes and flows to the Join, D will not wait for A and B.
- C. If A and B are complete and C routes to E, D will not be invoked.
- D. When C is complete, depending on the data, E can be invoked immediately no matter what the status is of A or B.

Answer: A

Question: 5

The first component of the Vehicle Details coach is a Text field with the label Search Vehicle in a coach view, which is configured to fire a boundary event. Which one of the events does the BPM application developer need to use so that the Vehicle List table filters to matching vehicle selected from Search Vehicle field?

Search Vehicle

Q

Vehicle List Per page: 10

Make	Model	Year	Color
Chevy	Camaro	2018	Blue
Ford	Mustang	2017	Red
Dodge	Challenger	2016	Yellow
Porsche	Boxster	2017	Black

Showing 1 to 4 of 4 entries

Previous 1 Next

- A. Onload
- B. Onclick
- C. On input
- D. Change the event handler and specify `this.context.refreshView();`

Answer: D

Thank You for trying C1000-015 PDF Demo

To Buy Latest C1000-015 Full Version Download visit link below

<https://www.certkillers.net/Exam/C1000-015>

Start Your C1000-015 Preparation

[Limited Time Offer] Use Coupon “CKNET” for Further discount on your purchase. Test your C1000-015 preparation with actual exam questions.

<https://www.certkillers.net>