



IBM

A2010-657

Accessment: IBM Tivoli Netcool/OMNIBus V7.4 Implementation

QUESTION: 120

An ObjectServer trigger is configured to locate all critical events related to a very important network component. The trigger generates an event-based Accelerated Event Notification (AEN) The AEN message is sent to all users that are members of the NETWORK group. The trigger updates the event so that it will not send another AEN message for the same event. When the trigger runs and generates the AEN message there are no users that belong to the NETWORK group that have an active AEN client running on their desktops. What happens to the AEN message in this situation?

- A. With no active clients to receive the message, the message is lost.
- B. Any user who has their AEN client configured with the Notification Logging option set can retrieve the text of all messages from their local log file.
- C. Any user who has their AEN client configured with the Maintain History option set can start their AEN client and retrieve all messages that have not been received by them.
- D. The ObjectServer sending the AEN message requires an acknowledgement from at least one AEN client that the message has been received. Otherwise, it will retransmit the message based upon the Granularity setting.

Answer: A

QUESTION: 121

The administrator wants to give a new user the ability to manage groups and roles in IBM Tivoli Netcool/OMNIBUS V7.4 WebGUI. Which role would that user need to have?

- A. ncw_user
- B. iscadmins
- C. ncw_admin
- D. administrator

Answer: B

QUESTION: 122

Which two keywords are required for creating an SQL procedure? (Choose two)

- A. END
- B. WHEN
- C. BEGIN
- D. START
- E. DECLARE

Answer: A, C

QUESTION: 123

Which indexes exist on the ObjectServer alerts.status table by default?

- A. one index consisting of the primary key Serial
- B. two indexes; one consisting of Node and one consisting of Serial
- C. one index consisting of the primary key ServerName and ServerSerial
- D. two indexes; one consisting of the Serial and one consisting of the primary key ServerName and ServerSerial

Answer: D

QUESTION: 124

An executable tool is created for use through the native desktop. The tool runs a .bat file that performs a ping command on Windows desktops. The tool is created but does not work. What describes the correct technique for diagnosing the problem with this tool?

- A. examine the ObjectServer log file for possible syntax issues in the .bat file
- B. examine the local Windows application log file for possible issues in the .bat file
- C. configure the Redirect errors option in the tool to display any errors in a pop-up window
- D. configure the Redirect messages option in the tool to display any errors in a pop-up window

Answer: C

QUESTION: 125

Which statement is true about a temporal trigger?

- A. It responds to changes detected within the ObjectServer.
- B. It is executed repeatedly based on a specified frequency.
- C. It can only be executed if the system is running under process control.
- D. It can only be executed before or after an event is updated in the ObjectServer

Answer: B

QUESTION: 126

Which two statements are true about automations? (Choose two.)

- A. Automations can communicate with each other and run programs on request.
- B. Automations support full remote management of process agents from a single console.
- C. Automations enable the ObjectServer to process alerts without requiring an operator to take action.
- D. Automations can be used to detect changes in the ObjectServer and to run automated responses to these changes.
- E. Automations provide an interface for defining and manipulating relational database objects such as tables and views

Answer: C, D

QUESTION: 127

Click the Exhibit button**Exhibit Missing**

Widgetcom has deployed this 3-tier standard multi-tier architecture deployment of IBM Tivoli Netcool/OMNIBus V7.4 (Netcool/OMNIBus) using the best practice configuration that ships with the product: WebGUI is to be deployed into the environment. The Aggregation and Display layer ObjectServer details are added to the WebGUI server's data source definition file as a single data source In order to implement automatic load-balancing for connecting WebGUI Active Event List clients, into which ObjectServer table should rows be inserted?

- A. master.national
- B. master.servergroups
- C. catalog.servergroups
- D. no rows need to be added to any ObjectServer table

Answer: D

QUESTION: 128

An ObjectServer is being configured with High Availability

The primary ObjectServer, called LONDON_P, is configured on servera The backup ObjectServer, called LONDON_B, is configured on serverb The synchronizer gateway, called LONDON_GATE, is installed on serverb Neither of the ObjectServers is running in Secure Mode The goal is a configuration that implements ObjectServer failover and fallback in the most efficient manner and in accordance with standard Best Practices. Which statement correctly describes the use of the ObjectServer property called BackupObjectServer?

- A. The value of this property on LONDON_B must be set to True.
- B. The value of this property on LONDON_P must be set to True.
- C. The value of this property on LONDON_B must be set to LONDON_P
- D. The value of this property on LONDON_P must be set to LONDON_B

Answer: A

QUESTION: 129

The network operation center has two groups of users that use the native desktop. One group, OPERATIONS, requires access to the standard event management tools like acknowledge and delete. They also require access to some custom tools for things like basic troubleshooting (ping and telnet) and ticket creation. The second group, NETWORK, requires access to the same tools used by the OPERATIONS group users. In addition, there are a few tools used for advanced router diagnostics that they use. These tools are not to be available to the OPERATIONS group users. To minimize administration efforts a common desktop menu is used for both groups of users. The users in the OPERATIONS group use Windows desktops to run the native desktop application. What is the technique used to ensure that they only run tools supported on Windows?

- A. no additional configuration is required
- B. the OPERATIONS group is configured to limit access to only those tools supported on Windows
- C. all of the tools used by the OPERATIONS group are configured to limit access to only Windows systems
- D. all of the menus used by the OPERATIONS group are configured to limit access to only Windows systems

Answer: C

QUESTION: 130

What is the default location of the localization configuration file on a Linux host?

- A. \$NCHOME/etc
- B. \$NCHOME/etc/locale
- C. \$NCHOME/etc/default
- D. \$NCHOME/etc/platform

Answer: A

QUESTION: 131

An IBM Tivoli Netcool/OMNIBus V7.4 (Netcool/OMNIBus) environment has been set up with failoverObjectServers. Two custom columns will be added to the event list to show Service Desk Ticket numbers and Ticket Status. Which steps must be taken in this Netcool/OMNIBus environment?

- A. add the columns to the alerts.details table on the primary, modify the Gateway .map file, and restart the ObjectServer
- B. add the columns to the alerts.status table on the primary and backup, modify the Gateway .map file, and restart the gateway
- C. add the columns to the alerts.status table on the primary and backup, modify the Gateway .props file, and restart the gateway
- D. add the columns to the alerts .ticket table on the primary and backup, modify the Gateway .props file, and restart the ObjectServer

Answer: B

QUESTION: 132

Which scripts are used to back up and restore DE in a UNIX or Linux environments without an X server?

- A. backupdb.sh, restoredb
- B. backupde.sh, restorede.sh
- C. de_backupdb, de_restoredb
- D. de_dbbackup.sh, de_dbrestore.sh

Answer: C

QUESTION: 133

A company is deploying a multi-tiered architecture with two collection layer ObjectServers, two aggregation layer ObjectServers, and two display layer ObjectServers. Which ObjectServer names should be added to the omni.dat or Server Editor to configure server communication information?

- A. There is no specific naming convention for the multi-tiered architecture.
- B. COL_P, COL_B, COL_V, AGG_P, AGG_B, AGG_V, DIS_P and DIS_B.
- C. COL_P_1, COL_B_1, COL_V_1, AGG_P, AGG_B, AGG_V, DIS_1 and DIS_2.
- D. COL_P, COL_B, COL_V, NCOMS_P, NCOMS_B, NCOMS_V, DIS_1 and DIS_2

Answer: C

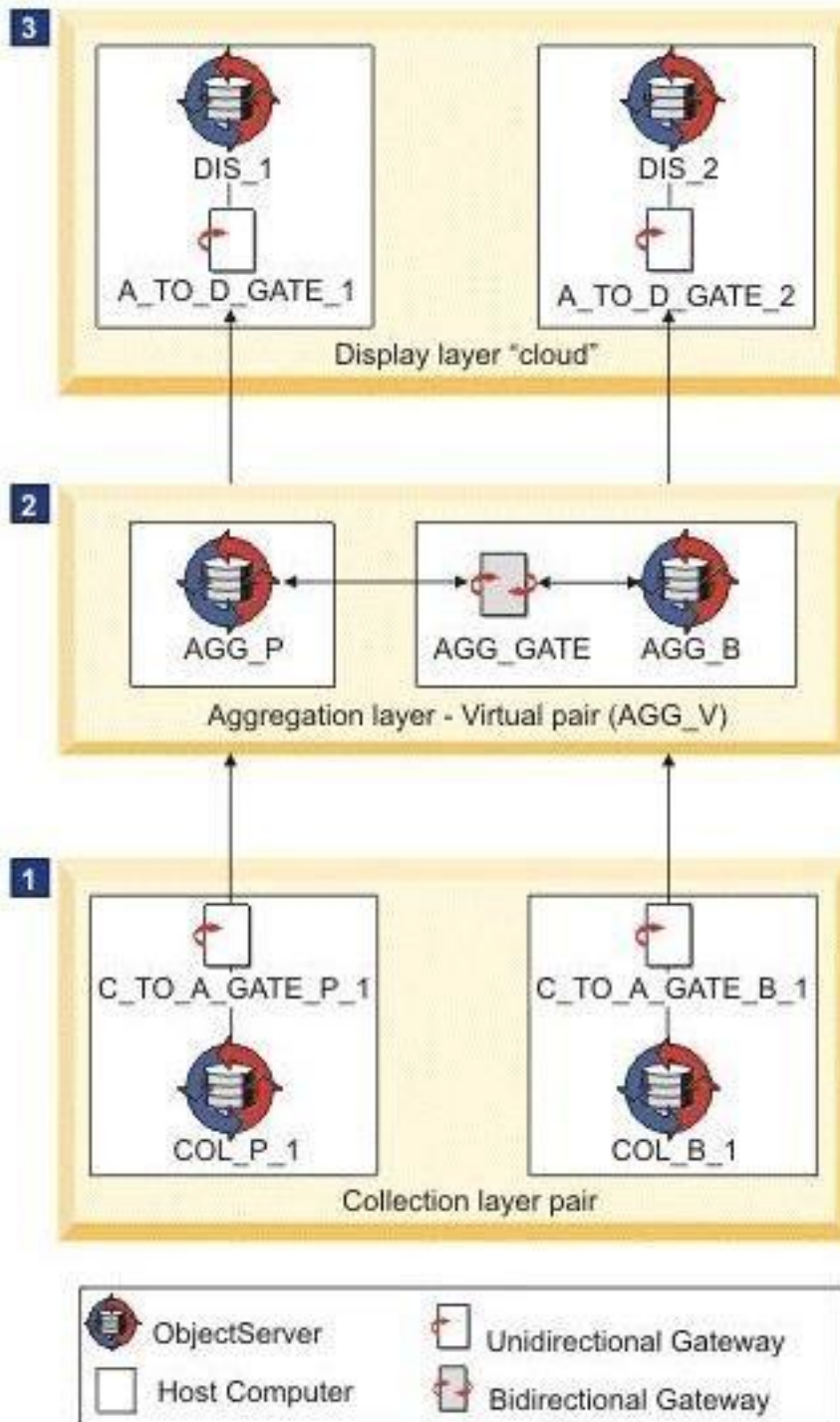
QUESTION: 134

The IBM Prerequisite Scanner Utility uses product codes to determine host component prerequisites. Which code checks the host for the prerequisites of IBM Tivoli Netcool/OMNIBus Server components?

- A. NOP
- B. NOC
- C. NOS
- D. NCOMS

Answer: C

QUESTION: 135
Click the Exhibit button.



Widgetcom has deployed this 3-tier standard multi-tier architecture deployment of IBM Tivoli Netcool/OMNIBus V7.4 (Netcool/OMNIBus) using the best practice configuration that ships with the product. The Netcool/OMNIBus administrator wants to examine the contents of a custom table on both AGG_P and AGG_B to verify that data is flowing correctly between the primary and backup Aggregation ObjectServers. Which two commands can be used to examine the contents of this table? (Choose two)

- A. nco_id
- B. nco_sql
- C. nco_event
- D. nco_config
- E. nco_check_store

Answer: B, D

QUESTION: 136

Which utility can be used to export ObjectServer event data?

- A. ws_ant.sh
- B. nco_export
- C. nco_confpack
- D. ncoosreport

Answer: D

QUESTION: 137

When is it appropriate to use iKeyman?

- A. when running in non_AES mode
- B. when running in FIPS 140-2 mode
- C. when a graphical tool cannot be used
- D. when not running in FIPS 140-2 mode

Answer: D

QUESTION: 138

Which three configuration parameters are set in the \$NCHOME/omnibus_webgui/etc/datasources/ncwDataSourceDefinitions.xml file? (Choose three.)

- A. datasource filters
- B. timeout for query statements
- C. datasource connection details
- D. HTTP and HTTPS port for the WebGUI
- E. username and password for the datasource(s)
- F. username and password for WebGUI admin user

Answer: B, C, E

Download Full Version From <https://www.certkillers.net>



Pass your exam at First Attempt....Guaranteed!