

Nokia

4A0-C04 Exam

NRS II Composite Exam: OSPF version



Thank you for Downloading 4A0-C04 exam PDF Demo

You can Buy Latest 4A0-C04 Full Version Download

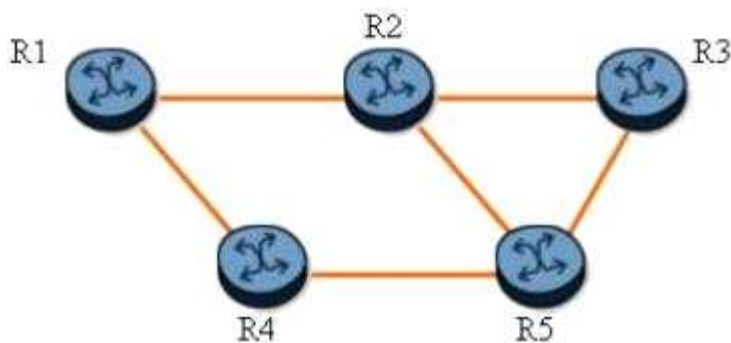
<https://www.certkillers.net/Exam/4A0-C04>

<https://www.certkillers.net>

Version: 4.0

Question: 1

Click on the exhibit.



An LSP traverses the path R1-R2-R3. With one-to-one fast reroute enabled, which router becomes a DMP for the detour tunnels?

- A. Router R1
- B. Router R2
- C. Router R3
- D. Router R4
- E. Router R5

Answer: E

Question: 2

Which of the following is NOT a characteristic of MPLS?

- A. It provides the ability to establish connection oriented paths over a connectionless IP network.
- B. It provides a mechanism to engineer network traffic patterns independently of IP routing tables.
- C. It will work over most physical layer protocols.
- D. It can use GRE tunnels to transport data from many different protocols over an IP network.

Answer: D

Question: 3

Which of the following regarding per-platform label space is TRUE?

- A. A separate label is used for each interface on which the FEC is advertised.
- B. A single label is assigned to a FEC for all interfaces on the same router,
- C. It is typically used when the device has ATM or Frame Relay interfaces.
- D. It uses more label resources than a per-interface label space.

Answer: B

Question: 4

Which of the following is TRUE when the explicit null is implemented?

- A. The penultimate router will forward packets to the eLER, based on the IP header.
- B. The eLER will receive packets with a top label value of 0.
- C. The eLER will receive packets with a top label value of 3.
- D. The penultimate router will pop the top label from the packets.

Answer: B

Question: 5

If an Nokia 7750 SR is an iLER operating in pipe mode, which of the following regarding the TC field (EXP bits) is TRUE?

- A. The TC field is set based on the value of the DSCP field inside the customer packet.
- B. The TC field is set to a specific value via explicit administrative configuration.
- C. The TC field is set to a system generated random number.
- D. The TC field is set by the eLER.

Answer: B

Thank You for trying 4A0-C04 PDF Demo

To Buy Latest 4A0-C04 Full Version Download visit link below

<https://www.certkillers.net/Exam/4A0-C04>

Start Your 4A0-C04 Preparation

[Limited Time Offer] Use Coupon “CKNET” for Further 10% discount on your purchase. Test your 4A0-C04 preparation with actual exam questions.

<https://www.certkillers.net>