



# Cisco

400-151 Exam

Cisco CCIE Data Center Exam

Thank you for Downloading 400-151 exam PDF Demo

You can Buy Latest 400-151 Full Version Download

<https://www.certkillers.net/Exam/400-151>

<https://www.certkillers.net>

# Version: 24.0

## Question: 1

Refer to the exhibit.

```

admin@sp1cli> show policy-cfg fv.AEPg | f fv.AEPg.name= Clients
Total Objects shown: 1
# fv.AEPg
name          : Clients
childAction   :
configIssues  :
configSt     : applied
descr        :
dn           : uni/tn-Pod1/ap-VMM/epg-Clients
isAttrBasedEpg : no
lcOwn        : local
matchT       : AtleastOne
modTs        : 2015-09-30T12:08:43.063+11:00
monPolDn     : uni/tn-common/nonepg-default
pcTag        : 32770
prio         : unspecified
rn           : epg-Clients
scope        : 2392065
status       :
triggerSt    : triggerable
txId         : 0
uid          : 15374

admin@sp1cli> show policy-cfg fv.AEPg | f fv.AEPg.name= Server
Total Objects shown: 1
# fv.AEPg
name          : Server
childAction   :
configIssues  :
configSt     : applied
descr        :
dn           : uni/tn-Pod1/ap-VMM/epg-Server
isAttrBasedEpg : no
lcOwn        : local
matchT       : AtleastOne
modTs        : 2015-09-30T12:08:43.063+11:00
monPolDn     : uni/tn-common/nonepg-default
pcTag        : 49154
prio         : unspecified
rn           : epg-Server
scope        : 2392065
status       :
triggerSt    : triggerable
txId         : 0
uid          : 15374

Leaf101# show zoning-rule scope 2392065
-----
Rule ID      SrcEPG      DstEPG      FilterID    operSt      Scope      Action      Priority
-----
4225         0           0           implicit    enabled     2392065    permit     any_any_filter(13)
4226         0           0           implicit    enabled     2392065    deny,log   any_any_any(14)
4227         0           49153       implicit    enabled     2392065    permit     any_dest_any(12)
Leaf101#
    
```

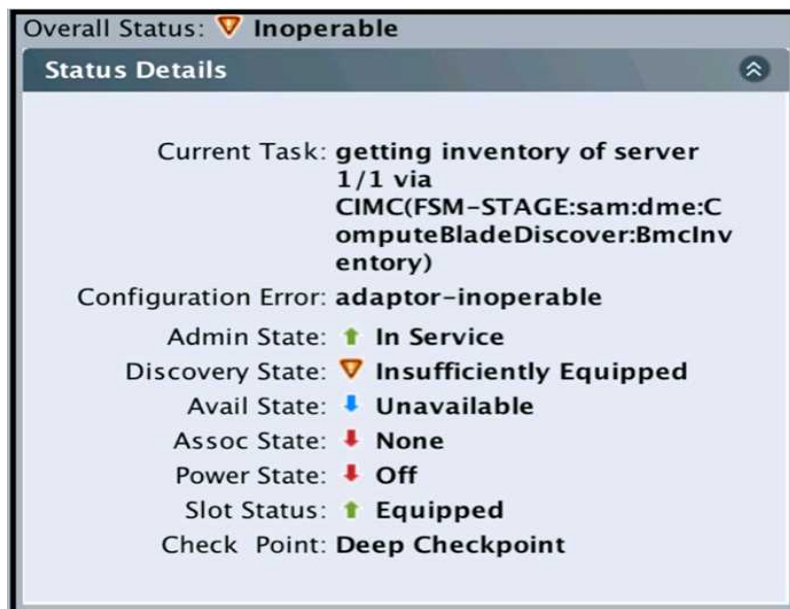
A virtual machine in the EPG "Clients" is unable to communicate via ICMP with a virtual machine in the EPG "Server". Which option is the most likely cause of this issues?

- A. The EPG "Server" is providing the relevant contract but the EPG "Clients" is not consuming the contract
- B. Not enough detail is provided in the output to determine the exact cause
- C. There is no issue because the configured rules permit ICMP traffic
- D. No contract is configured between the two EPGs

**Answer: D**

## Question: 2

Refer to the exhibit.



After you upgrade Cisco UCS firmware, some of your blades have these error messages. Which description of the problem is true?

- A. Storage provisioning is not configured.
- B. Some components are deprecated.
- C. vNIC template must be converted to updating.
- D. Service profile requires a connectivity policy.

---

**Answer: D**

---



---

### Question: 3

Refer to the exhibit.

```
https://{hostname}/api/node/class/infraWiNode.json?query-target-filter=wcard(infraWiNode.dn , "topology/pod-1/node-1/av"
```

Using GET method with this XML code, which two pieces of information about Application Policy Infrastructure Controllers shows the output? ( Choose two)

- A. ports of the leaves where the APICs are connected
- B. hard disks status for each APIC in the cluster
- C. APIC version installed on each node
- D. serial number of each APIC in the cluster
- E. admin status of each APIC in the cluster
- F. number of network interfaces of each APIC

---

**Answer: A, F**

---

---

**Question: 4**


---

Refer to the exhibit.

The screenshot shows two parts of the Cisco ACI GUI. The top part is the 'Static Bindings (Paths)' configuration page. It displays a table with the following data:

Path	Encap	Deployment Immediacy	Mode
Node 101	vlan-428	Immediate	Trunk

The bottom part is the 'Fault Properties' page, showing the following details:

- Severity: minor
- Last Transition: 2016-01-25T16:00:48.441+11:00
- Lifecycle: Soaking
- Affected Object: Topology/pod-1/node-101/local/svc-policyelem-id-0/uni/tn-Production/ap-Prod-Web/epg-Web/node-101/stpathatt-(eth1/28)/nwissues
- Description: Configuration failed for uni/tn-Production/ap-Prod-Web/epg-Web node 101 eth1/28 due to invalid Path Configuration, invalid VLAN Configuration
- Explanation: This fault occurs when an End Point Group is incompletely or incorrectly configured.
- Recommended Action: If you see this fault, take the following actions:

An admin has created a new EPG in an ACI fabric. The admin then specified static path binding as shown in exhibit. After submitting this policy configuration, the admin noticed that this newly created EPG had the fault shown in the exhibit. Which option is the likely explanation of this fault?

- A. There is no fault. The fault is currently in the soaking state and the fault will automatically clear and everything will work as expected
- B. The encap VLAN configured is interface for configuration management not within the allowed range of VLANs as specified by the associated domain
- C. There is not enough information to determine the cause of the problem
- D. The admin incorrectly configured this static path as a "trunk" when it should have been configured as an access (untagged) port

---

**Answer: B**

---



---

**Question: 5**


---

DRAG DROP

Drag and drops the feature from the left onto the correct description on the right

Bridge assurance	It helps prevent bridging loops that could occur because of a unidirectional link failure on a point-to-point link.
BPDU guard	It suppresses sending and receiving BPDUs on the port.
BPDU filter	It prevents a port from becoming root port or blocked port. If a port configured for root guard receives a superior BPDU, the port immediately goes to the root-inconsistent (blocked) state.
Loop guard	It shuts down the port if that port receives a BPDU.
Root guard	When running PVST+ or MST, and configure a port as a network port, BPDUs are sent and it moves a port into the blocking state if it no longer receives BPDUs.

**Answer:**

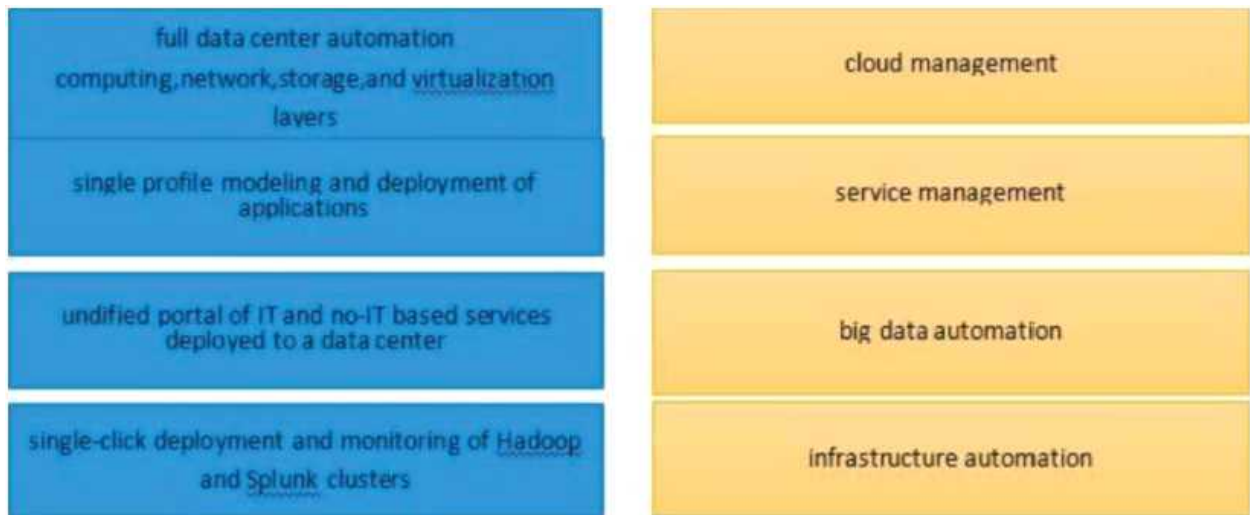
CertKillers.net

- Loop guard
- BPDU filter
- Root guard
- BPDU guard
- Bridge assurance

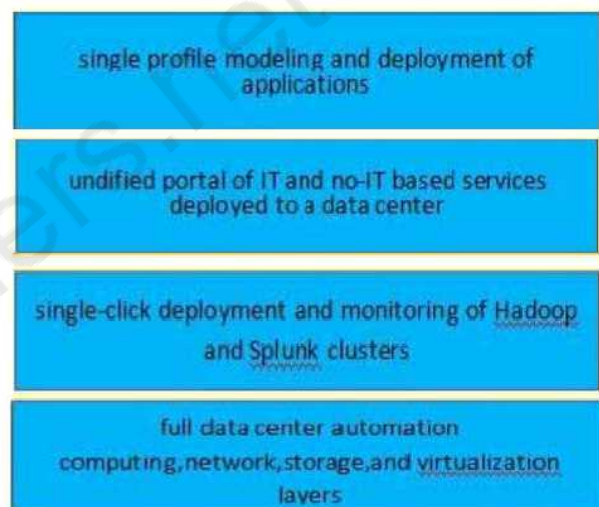
**Question: 6**

DRAG DROP

Drag and drop the enlisted four offers from the left onto the correct Cisco ONE Enterprise Cloud Suite on the right.

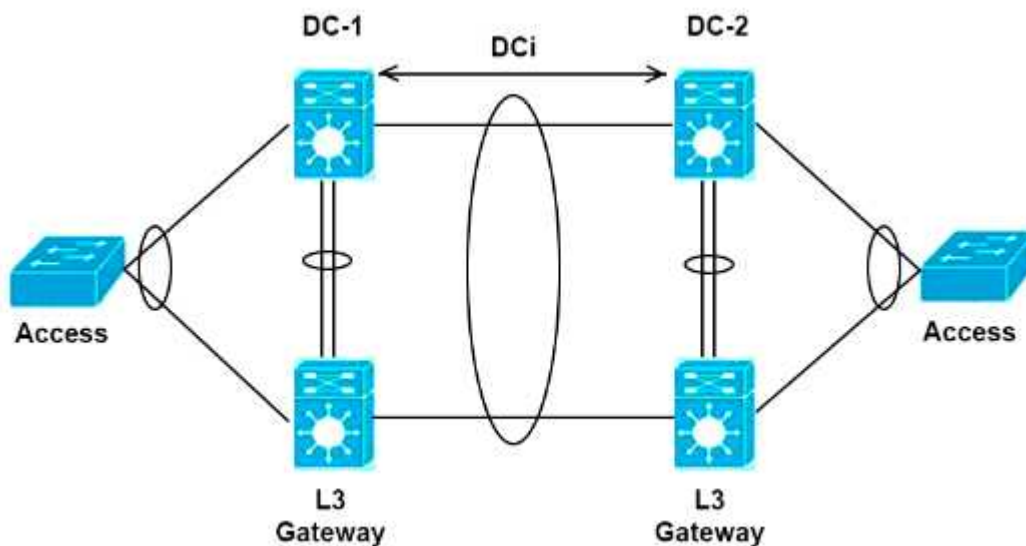


**Answer:**



**Question: 7**

Refer to the exhibit.



Which two options must be configured on the Layer 3 Gateway switches to isolate the HSRP between the two data centers? ( Choose two)

- A. disable HSRP GARP on the SVIs for the VLANs that move across the DCI
- B. routed access control list on the DCI on the SVIs that blocks the HSRP control traffic
- C. port access control list on the DCI port-channel that blocks the HSRP control traffic
- D. VLAN access control list that blocks the HSRP control traffic
- E. ARP inspection filter that blocks the HSRP GARPs

---

**Answer: D, E**

---

Explanation:

<https://www.cisco.com/c/en/us/support/docs/switches/nexus-7000-series-switches/118934-configure-nx7k-00#anc12>

---

### Question: 8

---

Which three of the following are key components to provide network connectivity to an IoT Solution? (Choose three)

- A. Voice
- B. Service Provider
- C. Wireless
- D. Routing
- E. Firewalling
- F. Switching

---

**Answer: BCE**

---

**Question: 9**

An IoT Solution is more likely to generate a lot of analytics and dat

a. Which of the following enables this information to be analysed and managed through integration with 3rd party devices and applications?

- A. ASR
- B. API
- C. Prime Infrastructure
- D. IP67

**Answer: C**

**Question: 10**

DRAG DROP

Drag and drop the Cisco UCS Director REST URI on the left to their correct HTTP method on the right.

app/api/rest?opName=userAPIGotGroups	POST
app/api/rest?opName=userAPIUpdateGroup	GET
app/api/rest?opName=userAPICreateGroup	DELETE
app/api/rest?opName=userAPIDeleteGroup	PUT

**Answer:**

app/api/rest?opName=userAPICreateGroup
app/api/rest?opName=userAPIGotGroups
app/api/rest?opName=userAPIDeleteGroup
app/api/rest?opName=userAPIUpdateGroup



## Thank You for trying 400-151 PDF Demo

To Buy Latest 400-151 Full Version Download visit link below

<https://www.certkillers.net/Exam/400-151>

## Start Your 400-151 Preparation

**[Limited Time Offer]** Use Coupon “CKNET” for Further discount on your purchase. Test your 400-151 preparation with actual exam questions.

<https://www.certkillers.net>