



Cisco

300-135 Exam

Cisco Troubleshooting and Maintaining Cisco IP Networks (TSHOOT) Exam

Thank you for Downloading 300-135 exam PDF Demo

You can Buy Latest 300-135 Full Version Download

<https://www.certkillers.net/Exam/300-135>

<https://www.certkillers.net>

Version: 22.0

Question: 1

A Cisco IOS router is disconnecting the console session of a user after some amount of time. Which action allows the user to work on the device without interruption?

- A. Use the speed 9600 command to match the baud rate
- B. Enter the no exec-banner command on line vty 0 4.
- C. Set the exec-timeout 0 0 command on line con 0.
- D. Increase the session timeout on line vty 0 15.

Answer: C

Question: 2

Refer to the exhibit.

```
R3#show running-config
[output omitted]
!
interface Serial0/1/0
 ip address 10.12.13.3 255.255.255.0
 ip verify unicast source reachable-via any
 ip ospf 1 area 0
!
interface Serial0/2/0
 ip address 10.12.23.3 255.255.255.0
 ip verify unicast source reachable-via any
 ip ospf 1 area 0

R3#sh ip route
[output omitted]

Gateway of last resort is not set

      10.0.0.0/8 is variably subnetted, 4 subnets, 2 masks
C       10.12.13.0/24 is directly connected, Serial0/1/0
L       10.12.13.3/32 is directly connected, Serial0/1/0
C       10.12.23.0/24 is directly connected, Serial0/2/0
L       10.12.23.3/32 is directly connected, Serial0/2/0
S       192.168.0.0/16 is directly connected, Null0
O       192.168.1.0/24 [110/65] via 10.12.13.1, 00:05:51, Serial0/1/0
O       192.168.2.0/24 [110/65] via 10.12.23.2, 00:05:51, Serial0/2/0
O       192.168.17.0/24 [110/65] via 10.12.23.2, 00:03:13, Serial0/2/0
O       192.168.27.0/24 [110/65] via 10.12.13.1, 00:04:14, Serial0/1/0
```

Which situation requires uRPF Loose Mode to be used in a production network that requires uRPF

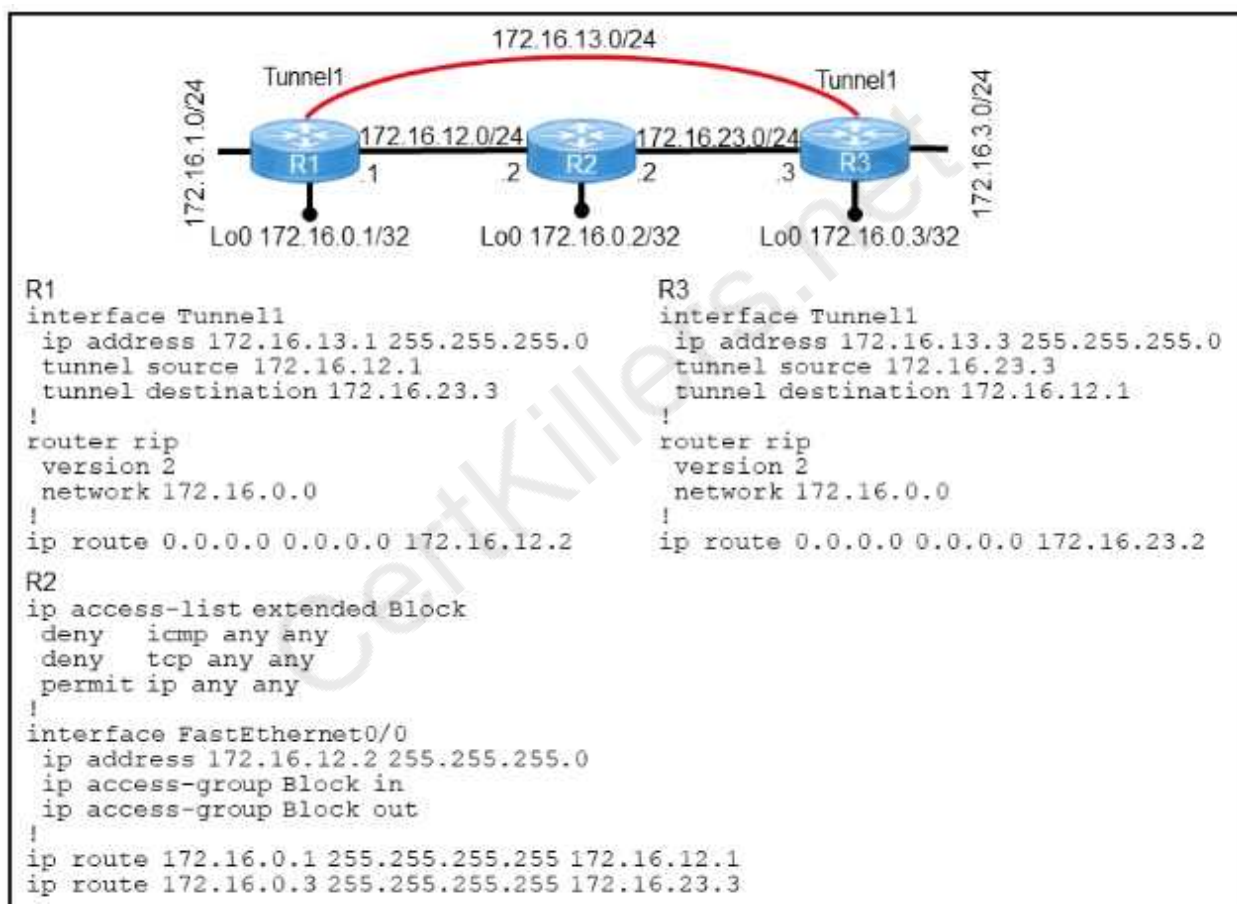
protection?

- A. The routers have dual-stack configurations with IPv4 and IPv6
- B. Normal network traffic experiences asymmetric routing
- C. Redistribution occurs between separate IGP domains.
- D. Multicast is deployed throughout the network via PIMv2

Answer: B

Question: 3

Refer to the exhibit.



Users on the 172.16.1.0/24 and 172.16.3.0/24 networks report that they frequently lose connectivity to the remote network. Which cause of the problem is true?

- A. recursive routing
- B. RIP auto summarization
- C. IP access list
- D. static IP routes

Answer: A

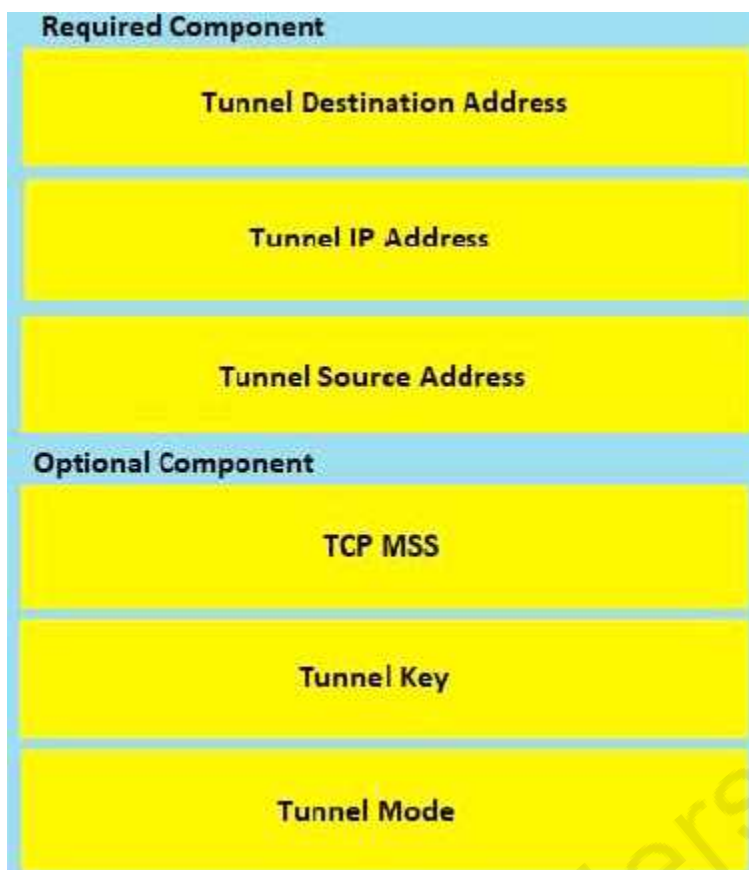
Question: 4

DRAG DROP

Drag and drop the required GRE tunnel as below.

TCP MSS	Required Component
Tunnel Destination Address	
Tunnel IP Address	
Tunnel Key	Optional Component
Tunnel Mode	
Tunnel Source Address	

Answer:



Question: 5

DRAG DROP

Drag the SSH configuration commands in order from the left onto the correct sequence number on the right. Not all commands are used.

Core-Switch (config)# line vty 0 4 Core-Switch (config-line)#transport input ssh	1
Core-Switch (config)#ip ssh version 2	2
Core-Switch (config)# line console 0 Core-Switch (config-line)# transport input ssh	3
Core-Switch(config)# crypto key generate rsa	4
Core-Switch(config)#ip domain-name crrdp.com	

Answer:

```
Core-Switch(config)#ip domain-name crrdp.com
```

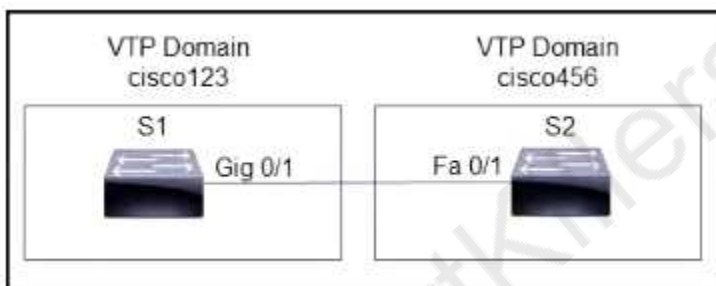
```
Core-Switch(config)# crypto key generate rsa
```

```
Core-Switch (config)#ip ssh version 2
```

```
Core-Switch (config)# line vty 0 4  
Core-Switch (config-line)#transport input ssh
```

Question: 6

Refer to the exhibit.



Dynamic trunk negotiation fails between S1 and S2 Which cause of the problem is true?

- A. There is a speed mismatch between S1 and S2.
- B. There are different VTP domains for S1 and S2
- C. S1 has a FastEthernet interface
- D. The switchport mode is set to desirable

Answer: B

Question: 7

Which two commands can be used to show the number of packets dropped by Unicast RPF? (Choose two.)

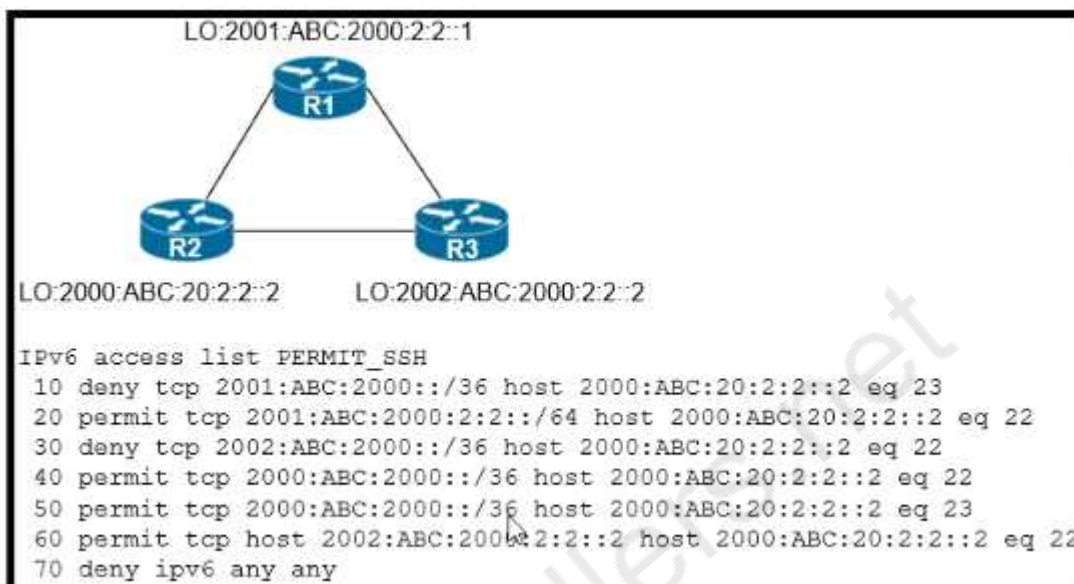
- A. show ip interface
- B. show interface
- C. show ip traffic
- D. show ip cef

E. show cef interface

Answer: AC

Question: 8

Refer to the exhibit.



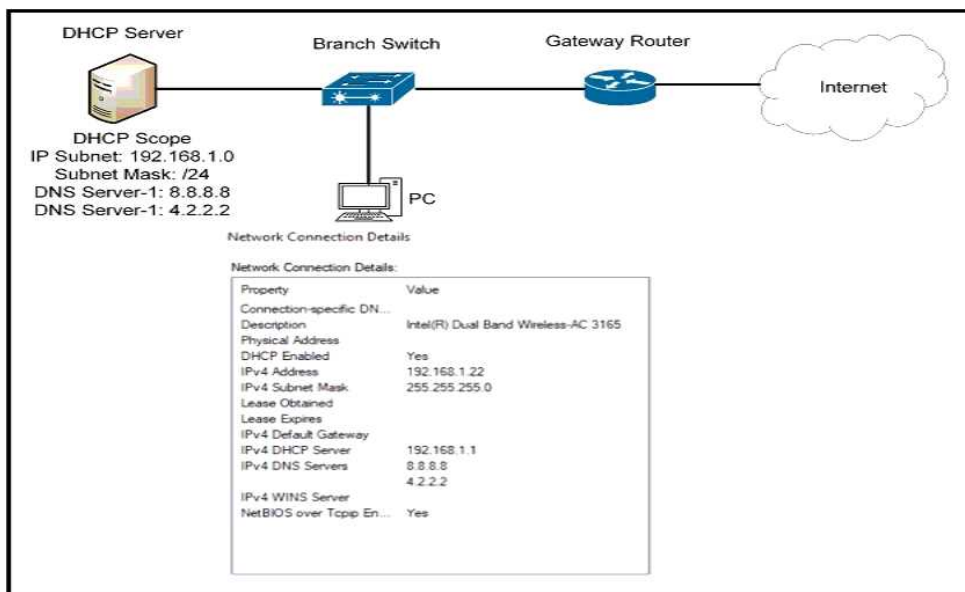
Which sequence number must be moved to the top of the ACL to enable access from R3 to R2?

- A. 20
- B. 40
- C. 50
- D. 60

Answer: D

Question: 9

Refer to the exhibit.



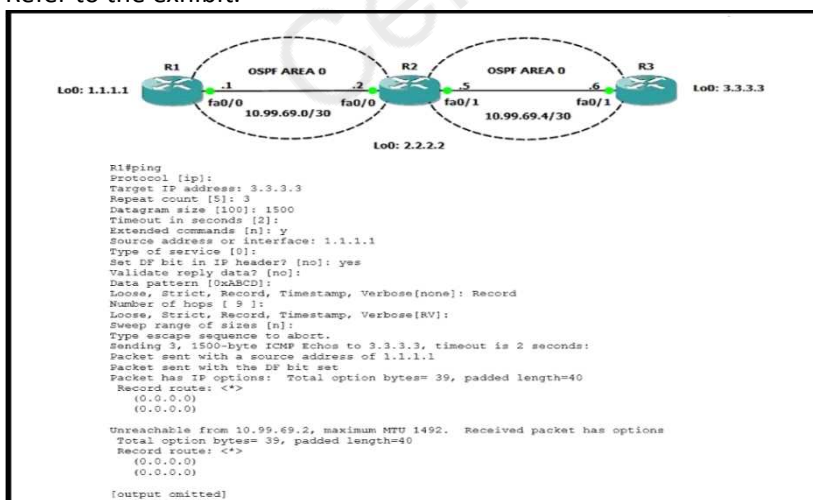
The PC is unable to connect to the Internet. You have determined that the DHCP server has not issued a default gateway to the PC. Which configuration mechanism will resolve this issue?

- A. Configure DHCP snooping on the gateway router
- B. Configure static ARP on the gateway router
- C. Configure reverse ARP on the gateway router

Answer: A

Question: 10

Refer to the exhibit.



R1 can ping the R3 fa0/1 interface Why do the extended pings fail?

- A. The maximum packet size accepted by the command is 1476 bytes.
- B. The DF bit has been set

- C. R3 is missing a return route to 10-99.69 0/30-
- D. R2 and R3 do not have an OSPF adjacency

Answer: B

CertKillers.net

Thank You for trying 300-135 PDF Demo

To Buy Latest 300-135 Full Version Download visit link below

<https://www.certkillers.net/Exam/300-135>

Start Your 300-135 Preparation

[Limited Time Offer] Use Coupon “CKNET” for Further discount on your purchase. Test your 300-135 preparation with actual exam questions.

<https://www.certkillers.net>