



VMware

2V0-21.19D Exam

VMware Professional vSphere 6.7 Delta Exam 2019 Exam

Thank you for Downloading 2V0-21.19D exam PDF Demo

You can Buy Latest 2V0-21.19D Full Version Download

<https://www.certkillers.net/Exam/2V0-21.19D>

<https://www.certkillers.net>

Version: 10.0

Question: 1

An administrator is installing a Platform Services Controller Instance. Which two options are available during the installation process? (Choose two.)

- A. choose deployment size
- B. specify vSphere administrator credentials
- C. enable Enhanced Linked Mode
- D. create a vCenter Single sign-on domain
- E. join an existing domain

Answer: D,E

Question: 2

A vSphere Administrator has multiple virtual machines running on a VMFS datastore. Which option prioritizes the disk access for the virtual machines?

- A. Disk Shares
- B. Disk Mode
- C. Disk Type
- D. Hard Disk

Answer: A

Question: 3

What should be installed on a VM to assist with VM-to-host time synchronization?

- A. VMware Tools
- B. vRA guest agent
- C. vROps agent
- D. Guest Operations Manager

Answer: A

Question: 4

An administrator runs a vSphere cluster containing database VMs with extremely heavy disk I/O. Database VMs are placed on a costly all-flash array. The workloads are not memory intensive. How can the administrator ensure the most cost-effective utilization of the all-flash storage array?

- A. Enable Storage I/O Control on the flash datastores.
- B. Install VMware Tools on the database VMs to ensure the hypervisor can receive I/O metrics.
- C. Use a VM-to-Host affinity rule to ensure database VMs are prioritized.
- D. Edit the cluster settings to place the virtual machine swap file on a different storage tier.

Answer: D

Question: 5

An administrator has an environment with these conditions and requirements:

The host provides 6GHz of CPU and 32GB of memory

The host is shared between the Marketing and QA departments

The QA department needs a higher compute resource priority

How can the administrator meet the conditions and requirements?

- A. Adjust NIOC or SIOC as appropriate to give the QA department a higher compute priority within the cluster.
- B. Create a resource pool for each department and use the Shares attribute to prioritize the allocation of resource.
- C. Assign affinity or anti-affinity rules to the appropriate VMs for each department.
- D. Set the VM priority to high for QA department VMs and normal for Marketing department VMs.

Answer: B

Question: 6

What is a benefit of using resource pools?

- A. Increased visibility of user activity
- B. Increased vMotion efficiency for a set of VMs
- C. Increased accuracy for proactive resources for a set of VMs
- D. Increased ease of reserving resources for a set of VMs

Answer: D

Question: 7

This error is generated when a vSphere administrator takes a VM snapshot:

An error occurred while taking a snapshot: Failed to quiesce the virtual machine

What should the administrator investigate to determine the cause of the failure?

- A. Check if the virtual machine is already running on snapshots.
- B. Check if the virtual machine is in suspended state.
- C. Check if VMware Tools is installed on virtual machine.
- D. Check if the virtual machine has an ISO mounted.

Answer: C

Question: 8

A vSphere administrator is working in a high security environment. The administrator wants to ensure unencrypted VMs can be migrated securely.

What should the vSphere administrator use to meet this requirement?

- A. vTPM
- B. UEFI Secure Boot
- C. KMS Server
- D. encrypted vSphere vMotion

Answer: D

Question: 9

For security reasons the VMware vSphere Update Manager (VUM) has no Internet access.

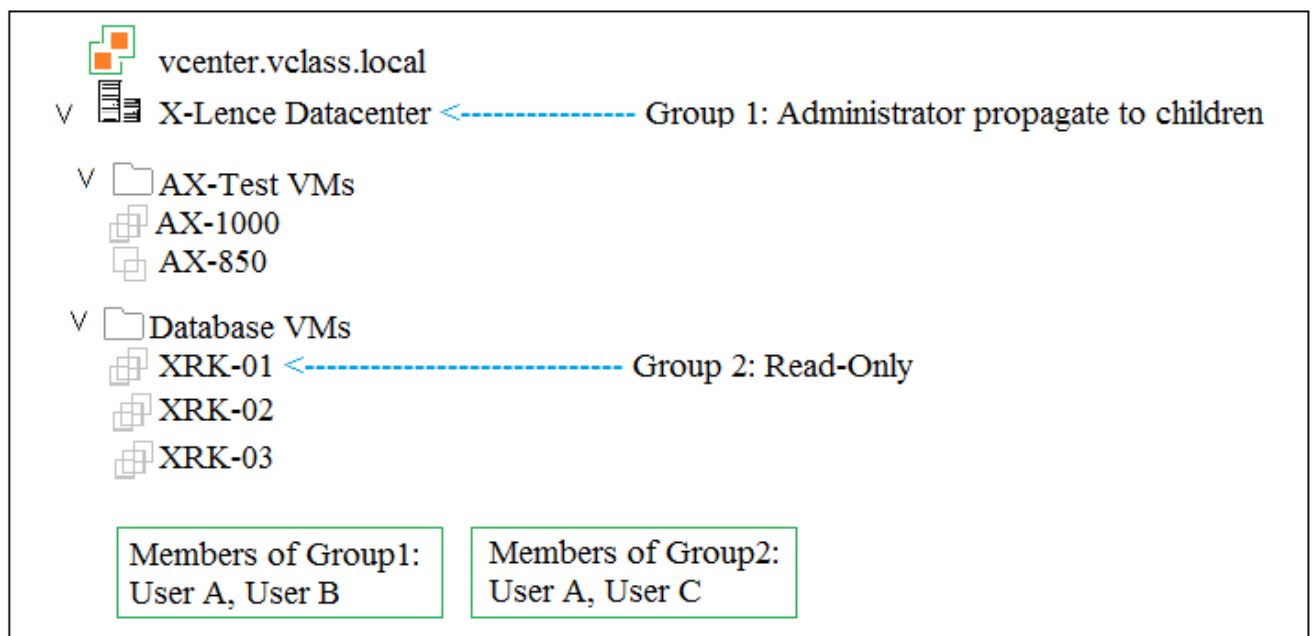
What can be used to provide a central shared repository in a DMZ?

- A. VMware vSphere Update Manager Download Service
- B. vSphere Authentication Proxy
- C. VMware content library
- D. vCenter Server Appliance

Answer: A

Question: 10

Which two tasks are allowed in the X-Lence data center? (Choose two.)

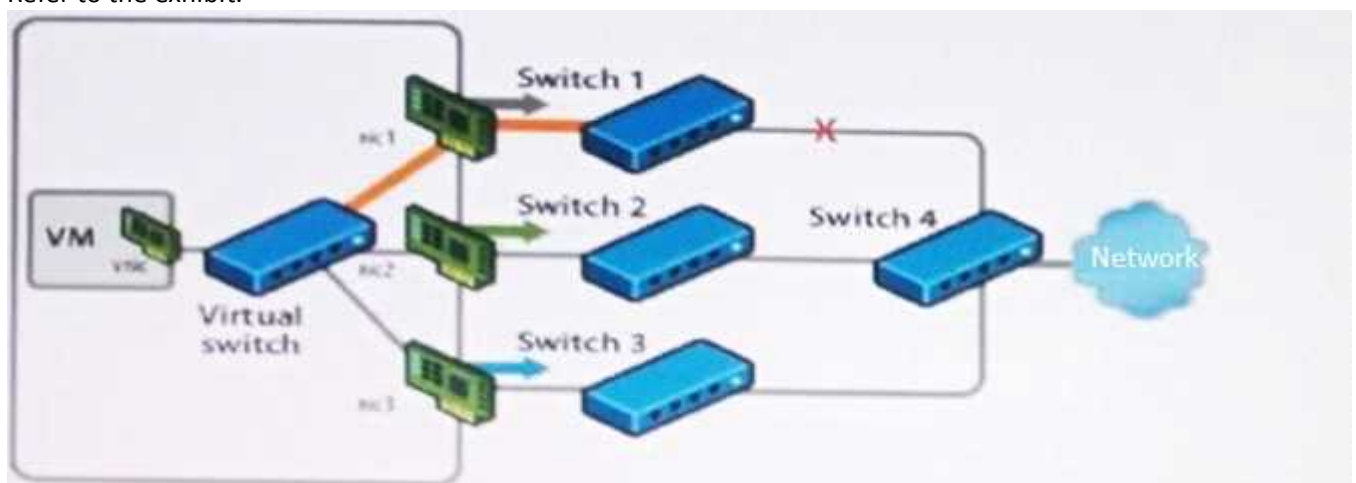


- A. User C can convert AX-850 to VM.
- B. User B can delete from disk XRK-01.
- C. User A can take a snapshot on XRK-01.
- D. User A can take a snapshot on AX-1000.
- E. User C can view configuration of AX-1000.

Answer: B,D

Question: 11

Refer to the exhibit.



Each ESXi host has three NICs assigned to a virtual switch.
Which Network Failure Detection Policy will prevent network failover?

- A. Notify Switches Policy

- B. Link status only
- C. Failback Policy
- D. Beacon probing

Answer: B

Question: 12

What does ESXi Autoconfiguration do?

- A. sets up host profiles
- B. configures system network and storage devices
- C. determines the number of hosts to be deployed
- D. configures Auto Deploy

Answer: B

Thank You for trying 2V0-21.19D PDF Demo

To Buy Latest 2V0-21.19D Full Version Download visit link below

<https://www.certkillers.net/Exam/2V0-21.19D>

Start Your 2V0-21.19D Preparation

[Limited Time Offer] Use Coupon “CKNET” for Further 10% discount on your purchase. Test your 2V0-21.19D preparation with actual exam questions.

<https://www.certkillers.net>