



# Oracle

## 1Z0-151 Exam

### Oracle Fusion Middleware 11g: Build Applications with Oracle Forms

Thank you for Downloading 1Z0-151 exam PDF Demo

You can Buy Latest 1Z0-151 Full Version Download

<https://www.certkillers.net/Exam/1Z0-151>

<https://www.certkillers.net>

## Version: 8.0

### Question: 1

The Credit\_Rating item in the Customers block of an Order Entry form must be restricted to three possible values: Good, Poor, or Null (the latter value indicates that the credit rating has not been determined). Order entry clerks must be able to update this item to any of the preceding three values.

You want to change the item to a check box labeled "Credit Risk" that should be selected if the customer has poor credit, the check box should not be selected if the customer's credit rating is good or undetermined.

Label	Credit Risk
Access Key	
Implementation Class	
Value when Checked	Bad
Value when Unchecked	Good
Check Box Mapping of Other Values	Unchecked
Popup Menu	<Null>
<b>Navigation</b>	
Keyboard Navigable	Yes
Mouse Navigate	Yes
Previous Navigation Item	<Null>
Next Navigation Item	<Null>
<b>Data</b>	
Data Type	Char
Data Length Semantics	BYTE
Maximum Length	4
Initial Value	

You change the item type to Checkbox, set other properties as shown in the Exhibit, and then run your form and insert three records: two with good credit and the check box deselected, and one with poor credit and the check box selected. You commit the data and query the records, with the following result set:

CUST_ID	LAT_NAME	LAST_NAME	CREDIT_RATING
10001	Gamer	Pam	
1002	Wallace	Sheila	
1003	Maslen	Glenn	Poor

The first two records show an undetermined credit rating, although your intention was to set the value to Good for these customers. What change must you make in the properties of the Credit\_Rating item to enable values of Good, Poor, and Null to be entered?

- A. Change the initial Value property to Good.
- B. Change the Check Box Mapping of Other Values property to Not Allowed.
- C. Change the initial Value property to Good and the Value When Unchecked property to Null.
- D. Change the initial Value property to Good and the Check Box Mapping of Other Values property to Null.
- E. Change the initial Value property to Good and the Check Box Mapping of Other Values property to checked.
- F. Change the item type. It is not appropriate to use a check box to enable entry and update of more than two values in an item.

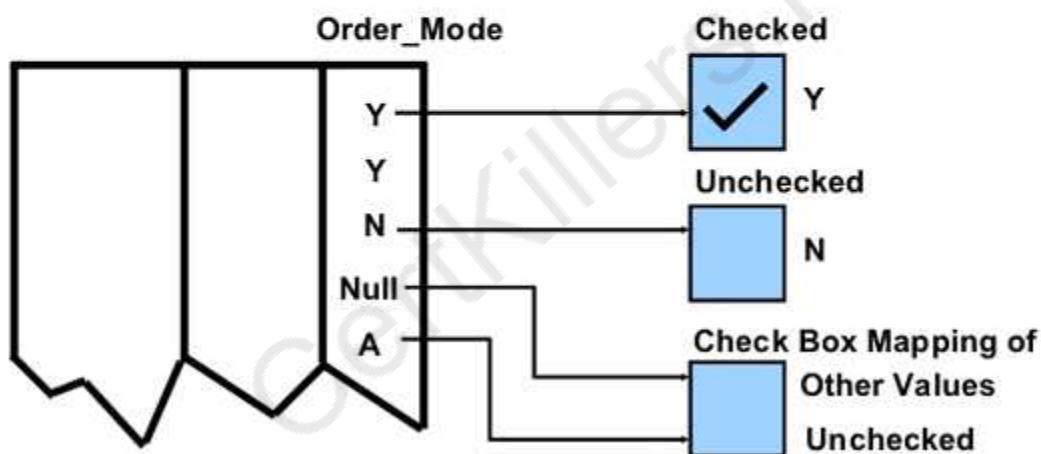
---

**Answer: F**

---

Explanation:

## Check Box Mapping of Other Values



Incorrect answers:

F: A check box is not limited to two values.

---

### Question: 2

---

When tabbing through items in the Employees form, users should not be able to navigate to the Salary text item. If they need to update the item, they will have to explicitly navigate to it by using the mouse.

Which property setting accomplishes this requirement?

- A. Enabled = Yes; Keyboard Navigable = No
- B. Enabled = No; Keyboard Navigable = Yes
- C. Enabled = Yes; Keyboard Navigable = Yes

- D. Enabled = No; Keyboard Navigable = No
- E. Automatic Skip = Yes

---

**Answer: A**

---

---

### Question: 3

---

You have a text item in your form named Object1. You want to create Object2 as an exact duplicate of Object1. You want to be able to change the properties of Object2. However if you change Object1, you do not want Object2 to change.

Which method of reusing Object1 would be best for these requirements?

- A. Copying Object1
- B. Subclassing Object1
- C. Creating a property class from Object1
- D. Putting Object1 in an Object library
- E. Referencing Object1 in a PL/SQL library

---

**Answer: A**

---

---

### Question: 4

---

The Orders form has four blocks. The Orders and Order\_items block are on the CV\_Order content canvas; the inventories block items are on the CV\_inventories content canvas; and Control block buttons are on the CV\_Buttons toolbar canvas. All buttons have mouse Navigate set to No.

The Order\_Items block is a detail of Orders. The inventories block is a detail of Order\_Items, showing the stock of the selected product.

There is a button in the Control block with a When-Button-Pressed trigger:

```
IF GET_CANVAS_PROPERTY(:SYSTEM.cursor_item, item_canvas) = 'CV_ORDER' THEN
GO_BLOCK ('inventories')
ELSE
GO_BLOCK('orders');
END IF;
```

When you run the form and click the button, navigation does not occur, and the form displays the runtime error "FRM-41053: Cannot find Canvas: invalid ID." What should you do to correct this problem?

- A. Change the sequence of blocks in the Object Navigator
- B. Change the Mouse Navigator property of the button to yes
- C. in the first line of code, change the built-in to GET\_ITEM\_PROPERTY
- D. in the first line of code, change the system variable to: SYSTEM.CURSOR\_CANVAS.
- E. in the first line of code, change the CV\_ORDER to lowercase
- F. Change the argument to the GO\_BLOCK built-ins to uppercase

---

**Answer: C**

---

---

**Question: 5**

---

Which four types of variables must have their names preceded by a colon when they are referenced in trigger code?

- A. PL/SQL variables
- B. Form items
- C. global variables
- D. system variables
- E. parameters

---

**Answer: BCDE**

---

---

**Question: 6**

---

The Order Entry application contains several forms. The inventories form uses an LOV that is based on a record group that queries the Warehouses table to return a warehouse ID.

Several of the forms use LOVs that are based on the same query. You decide to centralize the creation of the record group to the entry form of the application, which opens all the other forms, for example, to open the inventories form, there is a When-Button Pressed trigger on the inventories button with the following code;

```
OPEN_FORM ('inventories');
```

in a When-New-Form-instance trigger for the entry form, you create the warehouse\_rg record group by using the CREATE\_GROUP\_QUERY built in with the following arguments:

```
('warehouse_rg' , 'SELECT ALL WAREHOUSE.WAREHOUSE_ID, WAREHOUSE.WAREHOUSE_NAME  
FORM WAREHOUSE order by warehouse_name');
```

You also populate the record group in this trigger.

What must you do to make this record group available to the inventories form and the other forms?

- A. in the When-New-Form-instance trigger for the entry form, add a values for the SCOPE argument of CREATE\_GROUP\_QUERY.
- B. in the entry form, move the record group code to the end of the When-Button-Pressed triggers for the buttons that open other forms, so that the record group is created and populated immediately after OPEN\_FORM is called.
- C. in the entry form, move the record group code to the beginning of the When-Button-Pressed triggers for the button that open other forms, so that the record group is created and populated just before OPEN\_FORM is called.
- D. in the When-Button\_Pressed triggers of the entry from the buttons that open other forms, add a value for the SESSION argument of OPEN\_FORM.
- E. in the other forms, refer to the record group as: global.warehouse\_rg.

---

**Answer: A**

---

Explanation:

Note: The CREATE\_GROUP\_FROM\_QUERY built-in is a function and must be invoked as part of an expression. For example:

```
DECLARE
```

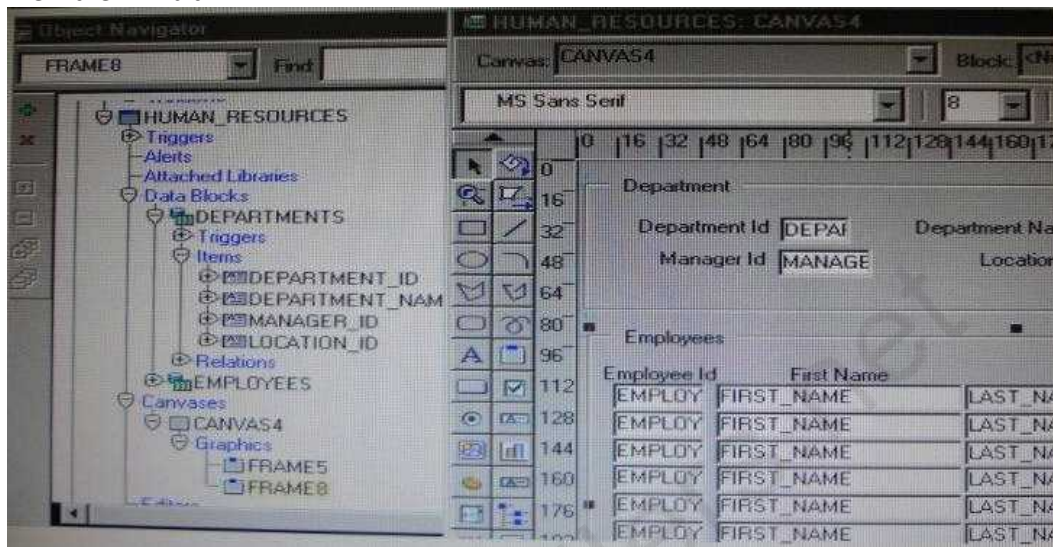
```

rg_id
BEGIN
rg_id := CREATE_GROUP_FROM_QUERY ('employee_rg', 'SELECT id,first_name,last_name,sal FROM
employee');
END;
    
```

RecordGroup;

**Question: 7**

View the Exhibit.



In the Human Resources form shown in the Exhibit, you want to modify the prompts, heights, and widths of the Department Id, Manager Id, and Location Id Holds in the Departments data block. What must you select before invoking the Layout Wizard in reentrant mode to modify these item properties?

- A. Frame5
- B. Frames
- C. Canvas4
- D. the Departments block
- E. the DEPARTMENT\_ID, MANAGER\_ID and LOCATION\_ID items

**Answer: A**

**Question: 8**

You are implementing a JavaBean in a form, the bean has no visible component on the form when invoked, the bean displays an input text where users enter a zip code, the bean has a single method that returns a short weather forecast for that zip code as a character value. How can you retrieve that value so that you can display it to the user?

- A. Use FBEAN.ENABLE\_EVENT to register a listener for the bean event. Obtain the value of SYSTEM.CUSTOM\_ITEM\_EVENT in a When-Custom item Event trigger, and then use that value as an argument to the MESSAGE built in.

- B. Use FBEAN.REGISTER\_BEAN as an argument to the MESSAGE built in to invoke the bean's method and return the value as a message displayed to the user.
- C. Use FBEAN.REGISTER\_BEAN to register the bean, so that when the user enters a zip code into the bean's input text, the value is automatically displayed in the bean area item.
- D. Use FBEAN.ENABLE\_EVENT to register a listener for the bean event. Obtain the value of SYSTEM.CUSTOM\_EVENT\_PARAMETER in a When\_Custom-item-Event trigger, and then use that value as an argument to the MESSAGE built-in.

---

**Answer: D**

---

Explanation:

When a user interacts with a JavaBean at run time, it usually causes an event to occur. You can use FBEAN.ENABLE\_EVENT to register a listener for the event, so that when the event occurs Forms will fire the When-Custom-Item-Event trigger. In this trigger, you can code a response to the event. The :SYSTEM.CUSTOM\_ITEM\_EVENT and :SYSTEM.CUSTOM\_EVENT\_PARAMETERS variables contain the name of the event and information the bean is sending to the form.

---

### Question: 9

---

The Orders database table uses Order\_id as its primary key. You have written the following code to use in the Orders block of a form:

```
SELECT orders_seq.NEXTVAL  
INTO :orders.order_id  
FROM SYS.dual;
```

Which statement is true about this code?

- A. If you place this Code in a trigger that fires when the record is inserted into the database, you will likely have more gaps in Order IDs than if you use the sequence as a default value for the item.
- B. If you place this code in a trigger, you should ensure that Order\_Id has its required property set to Yes.
- C. If you place this code in a trigger, you should ensure that Order\_Id has its Database Item property set to No.
- D. If the named sequence does not exist, it is automatically created the first time the code is called.
- E. You should place this code in a database trigger to minimize the gaps in Order IDs.
- F. You should place this code in Pre-insert trigger to minimize the gaps in Order IDs.
- G. You should place this code in a Post\_insert trigger to minimize the gaps in Order IDs.

---

**Answer: F**

---

Explanation:

Assigning Sequence Numbers to Records

You will recall that you can assign default values for items from an Oracle sequence, to automatically provide unique keys for records on their creation. However, if the user does not complete a record, the assigned sequence number is "wasted."

An alternative method is to assign unique keys to records from a Pre-Insert trigger, just before their insertion in the base table, by which time the user has completed the

record and issued the Save.

Assigning unique keys in the posting phase can:

- \* Reduce gaps in the assigned numbers
- \* Reduce data traffic on record creation, especially if records are discarded before saving

Example

This Pre-Insert trigger on the ORDERS block assigns an Order ID from the sequence ORDERS\_SEQ, which will be written to the ORDER\_ID column when the row is subsequently inserted.

```
SELECT ORDERS_SEQ.nextval  
INTO :ORDERS.order_id  
FROM SYS.dual;
```

---

**Question: 10**

---

In Forms Builder, the iconic buttons on the form are blank, but when you click Run Form the form appears in the browser with Images in the iconic buttons.

What are two things that you can check to track the source of this problem?

- A. forms Builder runtime preferences
- B. the UI\_ICON setting in the operating system
- C. the iconpath setting in the Forms registry file
- D. the UI\_ICOM\_EXTENSION setting in the operating system
- E. the iconextension setting in the Forms registry file
- F. the FORMS\_PATH setting in the Forms environment file
- G. the classpath setting in the operating system

---

**Answer: B, D**

---



## Thank You for trying 1Z0-151 PDF Demo

To Buy Latest 1Z0-151 Full Version Download visit link below

<https://www.certkillers.net/Exam/1Z0-151>

## Start Your 1Z0-151 Preparation

**[Limited Time Offer]** Use Coupon “CKNET” for Further discount on your purchase. Test your 1Z0-151 preparation with actual exam questions.

<https://www.certkillers.net>